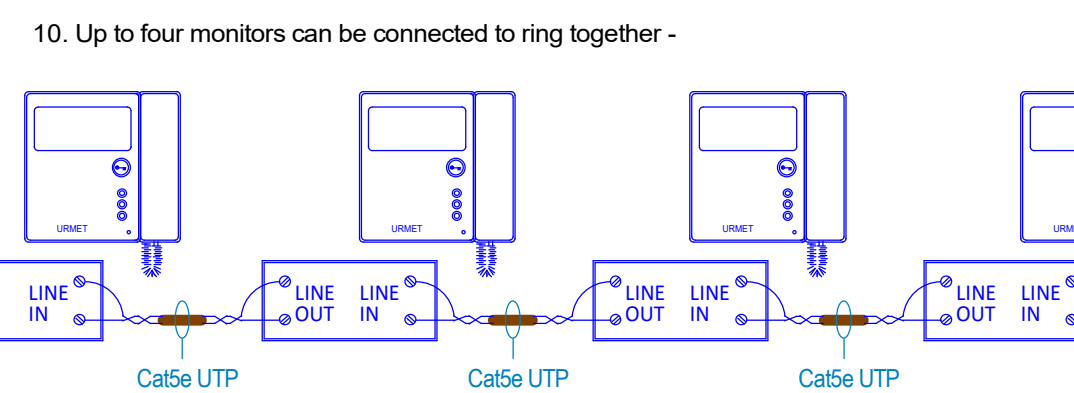
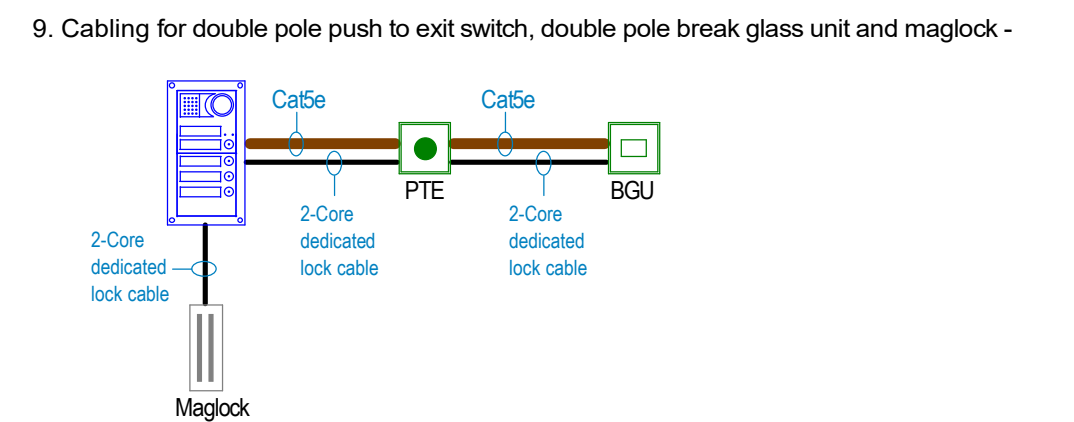
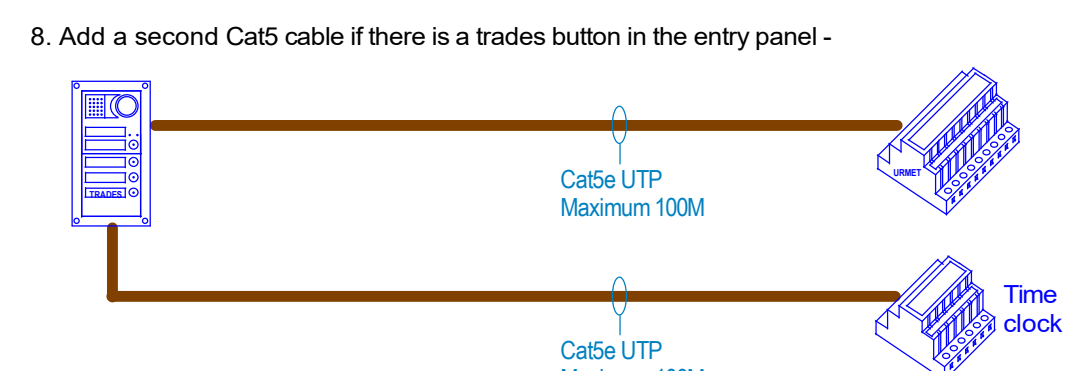
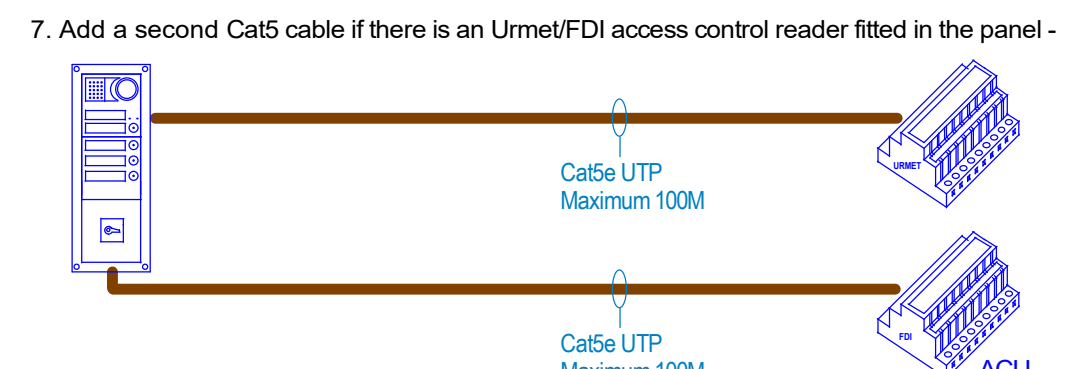
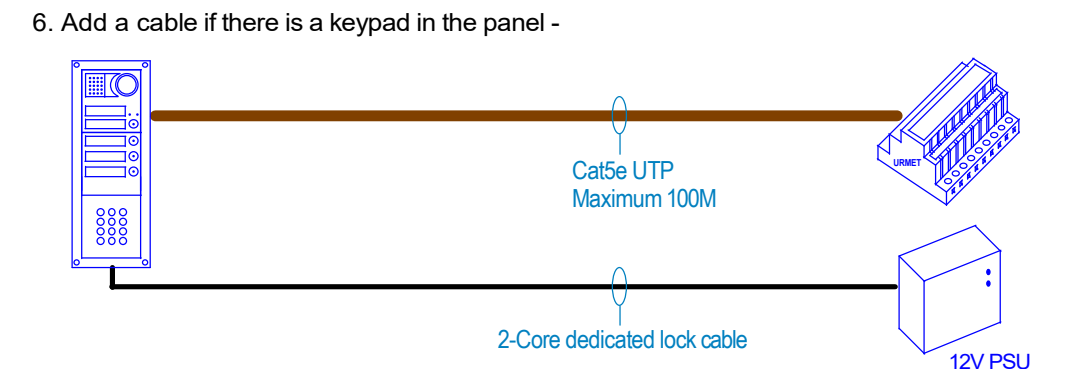
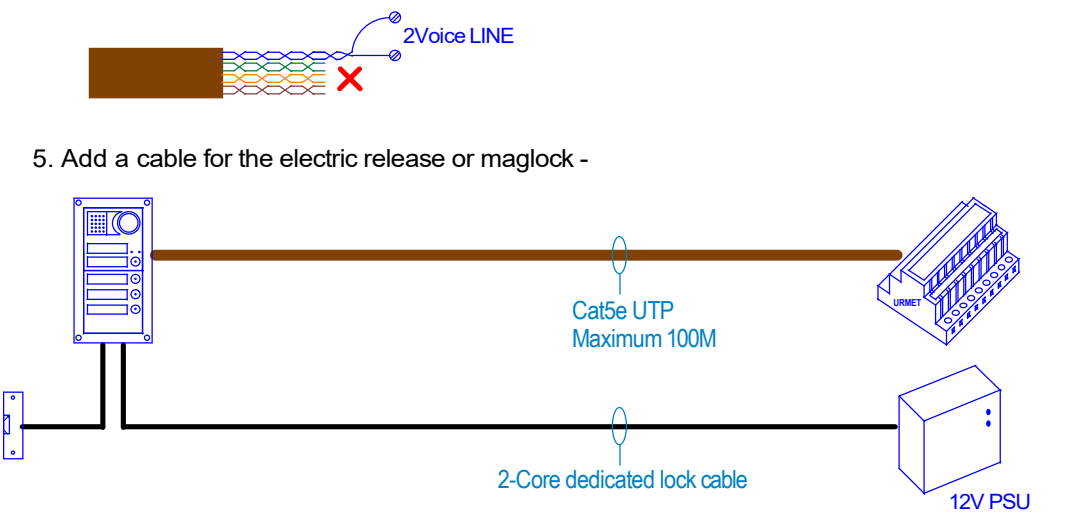


A maximum of 16 entry panels can be installed in this configuration

**NOTES:**

1. This schematic is for guidance only and should not be used for installation
2. Maximum distance from door entry panel to control equipment is 100m using Cat5e cable
3. Maximum distance from control equipment to the handset is 50m using Cat5e cable
4. Spare cores in Cat5e cable must not be used for other services -



Urmet Communication & Security UK Ltd  
 Urban Hive, Avenue West  
 Skyline 120  
 Great Notley  
 Essex  
 CM77 7AA  
 www.urmet.co.uk