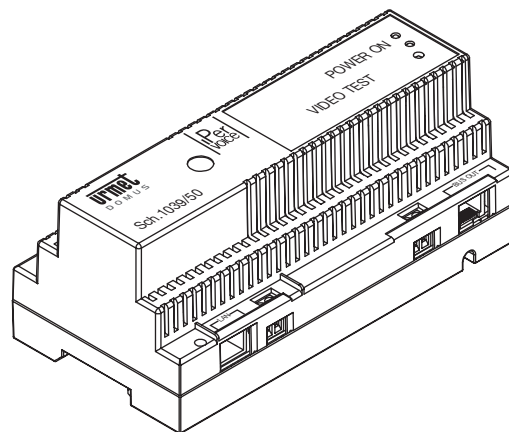


GATEWAY IP CAT5  
**Sch./Ref. 1039/50**



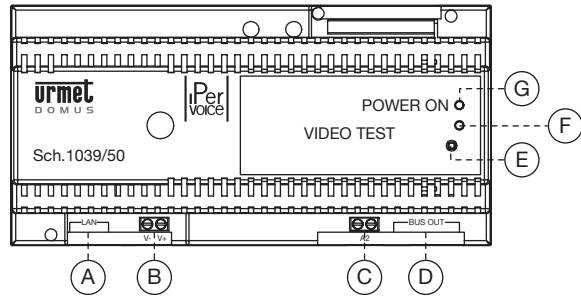
# ENGLISH

## DESCRIPTION

Gateway 1039/50 is intended for use in Ipvoice video door phone systems only. The Gateway is used for interfacing between road side (Ethernet - PoE digital section) and the analogue column.

Functions are:

- Feeding device via Ethernet (PoE).
- Connection to Ethernet line for digital data, audio and video transmission.
- Audio signal analogue/digital and digital/analogue conversion.
- Video signal digital/analogue conversion.
- Analogue column video signal calibration test activation.



- (A) RJ45 type connector for connection to Ethernet (PoE) via CAT5 cable (LAN).
- (B) Auxiliary power terminal board (V-; V+).
- (C) Auxiliary audio input/output terminal board (A2).
- (D) RJ45 type connector for connecting column power supply unit via CAT5 cable (BUS OUT).
- (E) Analogue column video calibration test button.
- (F) Red LED  
Blinking: video test mode on  
Steady on: data line error in column.
- (G) Green LED indicating device powered.

## FEATURES

External power:  
Max. consumption:  
Temperature:  
Dimensions:  
Weight:

**44 ÷ 57Vdc**  
**150mA**  
**-5°C ÷ 45°C**  
**180 x 80 x 90mm (10 modules DIN)**  
**approximately 450g**

## INSTALLATION

Refer to the instructions contained in the [system manual](#) for wiring, maximum distances and configuration operations.

The housing may be used both in DIN bar mounting and wall mounting by means of screws and spacers; please take care of mounting it in dry and repaired environments.

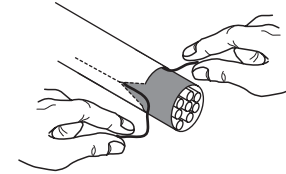
Use Urmet 1039/101 RJ45 connectors.

Insert the wires in the guide respecting the colour coding shown (Standard T568B).

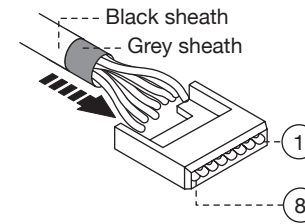
## WIRING INSTRUCTIONS WITH 1039/90 WIRE

Fit the black wire 1039/90 in a RJ45 plug with URMET logo:

- Remove the black insulating sheath by pulling the two sheath breaking threads to facilitate accommodation of the wire in the flush-mounting box.

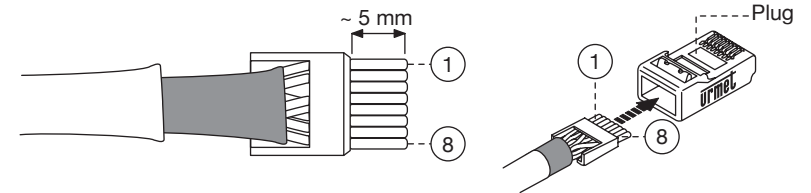


- Insert the wire in the guide respecting the colour coding shown (Standard T568B).



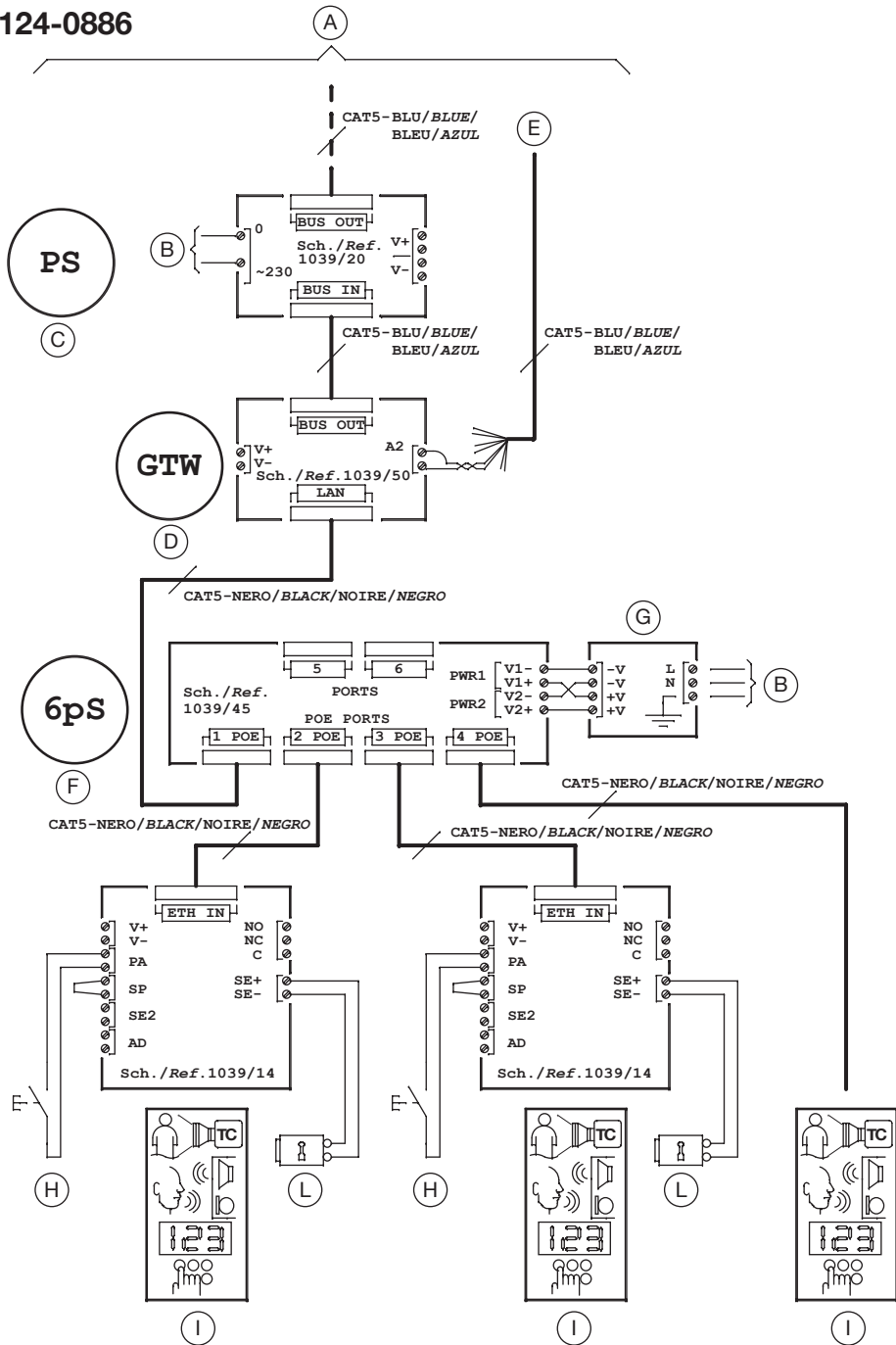
Wire No.	Wire colour	Wire No.	Wire colour
1	White-Orange	5	White-Blue
2	Orange	6	Green
3	White-Green	7	White-Brown
4	Blue	8	Brown

- Cut the wires which protrude from the guide by approximately 5mm, insert the guide in the plug and crimp the plug with a specific tool.



Make sure that the grey sheath remains inside the plug.

This type of connection DOES NOT ensure double insulation.



- (A) Alla Colonna Montante  
To Riser  
Vers La Colonne Montante  
A La Columna Montante
- (B) Linea ~  
Line ~  
Ligne ~  
Línea ~
- (C) Alimentatore di colonna per CAT5  
CAT5 column power supply unit  
Alimentateur de colonne pour CAT5  
Alimentador de columna para CAT5  
Sch./Ref. 1039/20
- (D) Gateway IP/CAT5  
IP/CAT5 gateway  
Passerelle IP/CAT5  
Gateway IP/CAT5  
Sch./Ref. 1039/50
- (E) (Opzione: seconda fonia)  
(Option: second audio)  
(Option: deuxième phonie)  
(Opción: segunda fonía)
- (F) Switch 4 PoE + 2 porte  
4 PoE + 2 port switch  
Commutateur 4 PoE + 2 ports  
Interruptor 4 PoE + 2 puertos  
Sch./Ref. 1039/45
- (G) Alimentatore switch  
Switch Power supply  
Alimentation switch  
Alimentación switch
- (H) Azionamento apriporta  
Lock Operation  
Actionnement Serrure  
Accionamiento Cerradura
- (I) Modulo di chiamata IP antivandalo  
Vandal-proof IP calling module  
Module d'appel IP anti-vandalisme  
Módulo de llamada IP a prueba de vandalismo  
Sch./Ref. 1039/14
- (L) Serratura elettrica  
Electric lock  
Serrure électrique  
Cerradura eléctrica

**DS 1039-006**

**urmet**  
DOMUS

**LBT 8259**

**FILIALI**

20151 MILANO - V.Gallarate 218  
Tel. 02.380.111.75 - Fax 02.380.111.80  
00043 CIAMPINO (ROMA) V.L. Einaudi 17/19A  
Tel. 06.791.07.30 - Fax 06.791.48.97  
80013 CASALNUOVO (NA) V.Nazionale delle Puglie 3  
Tel. 081.193.661.20 - Fax 081.193.661.04  
30030 VIGONOVO (VE) - V.del Lavoro 71  
Tel. 049.738.63.00 r.a. - Fax 049.738.63.11  
66020 S.GIOVANNI TEATINO (CH) - V.Nenni 17  
Loc. Sambuceto Tel. 085.44.64.851  
Tel. 085.44.64.033 - Fax 085.44.61.862



<http://www.urmetdomus.com>  
e-mail: [info@urmetdomus.it](mailto:info@urmetdomus.it)

**SEDE**

URMET DOMUS S.p.A.  
10154 TORINO (ITALY)  
VIA BOLOGNA 188/C  
Telef. +39 011.24.00.000 (RIC. AUT.)  
Fax +39 011.24.00.300 - 323  
Area tecnica  
servizio clienti +39 011.23.39.810