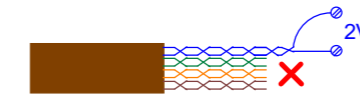
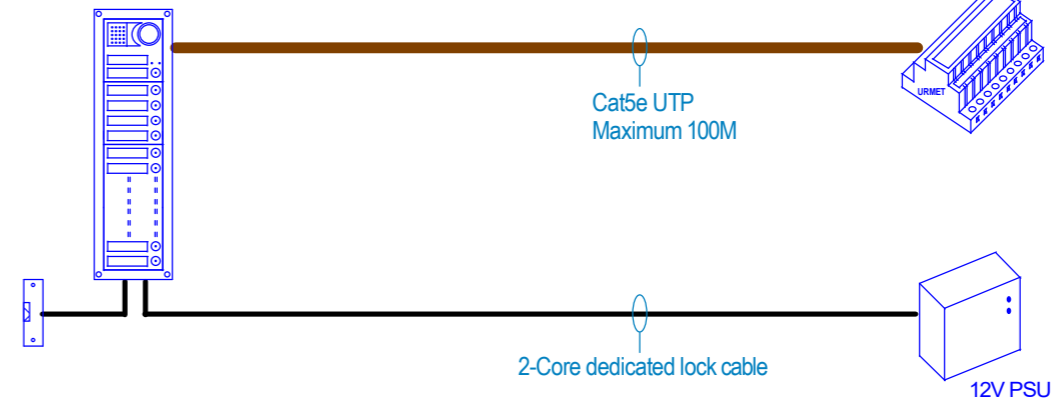


**NOTES:**

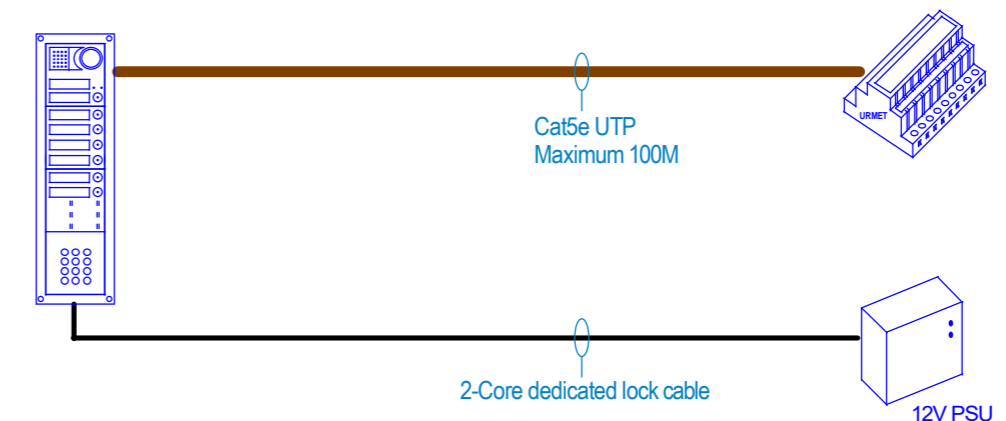
1. This schematic is for guidance only and should not be used for installation
2. Maximum distance from door entry panel to control equipment is 100m using Cat5e cable
3. Maximum distance from control equipment to the handset is 50m using Cat5e cable
4. Spare cores in Cat5e cable must not be used for other services -



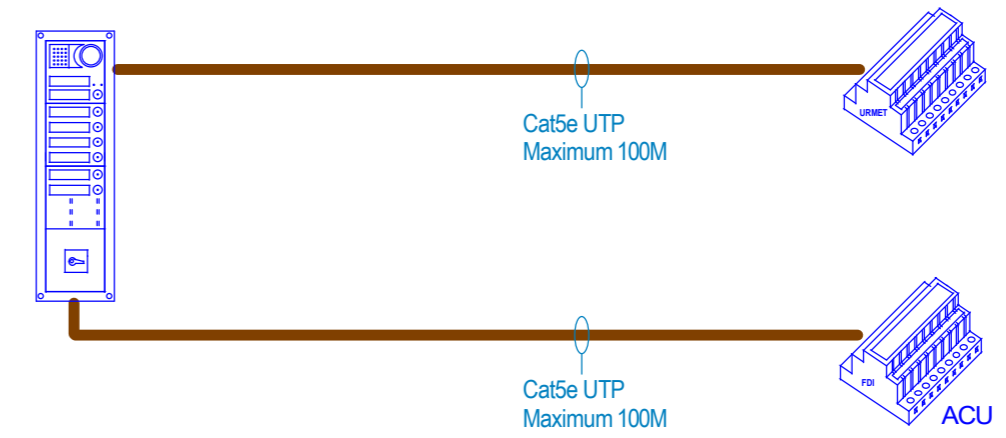
5. Add a cable for the electric release or maglock -



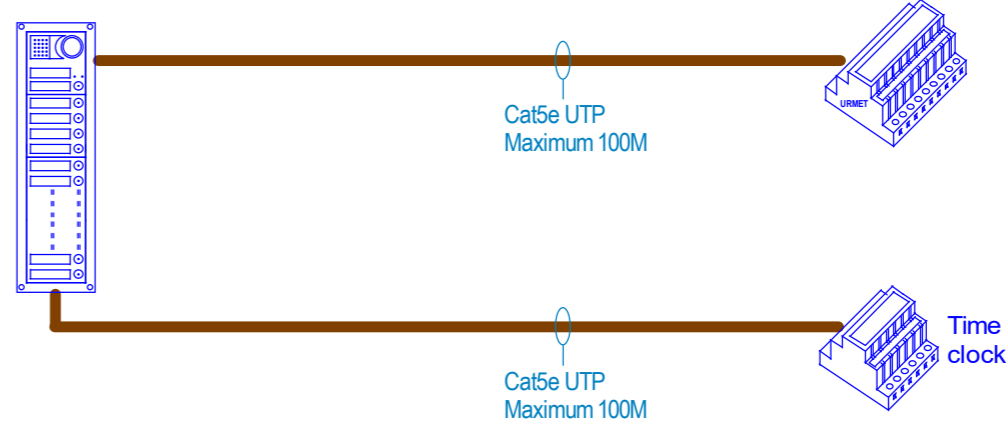
6. Add a cable if there is a keypad in the panel -



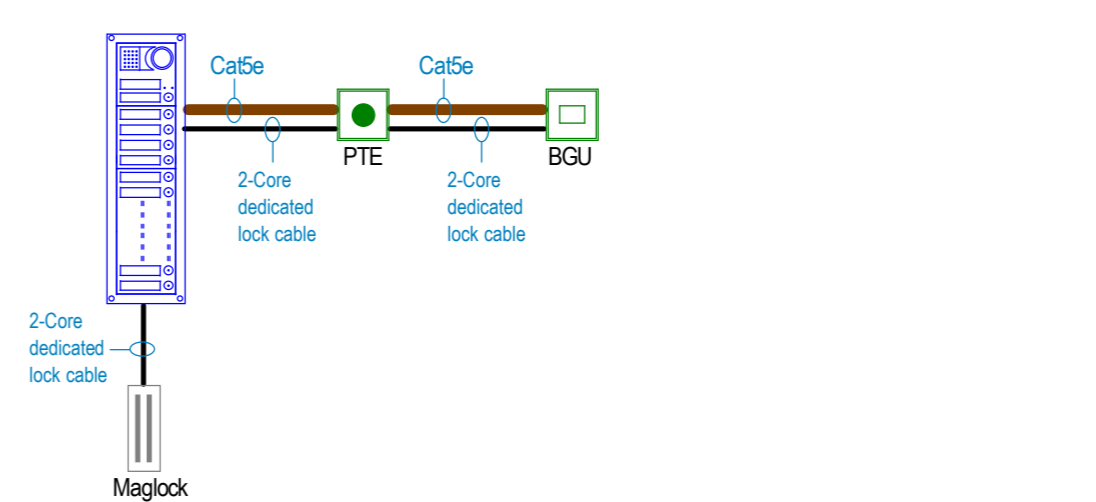
7. Add a second Cat5 cable if there is an Urmet/FDI access control reader fitted in the panel -



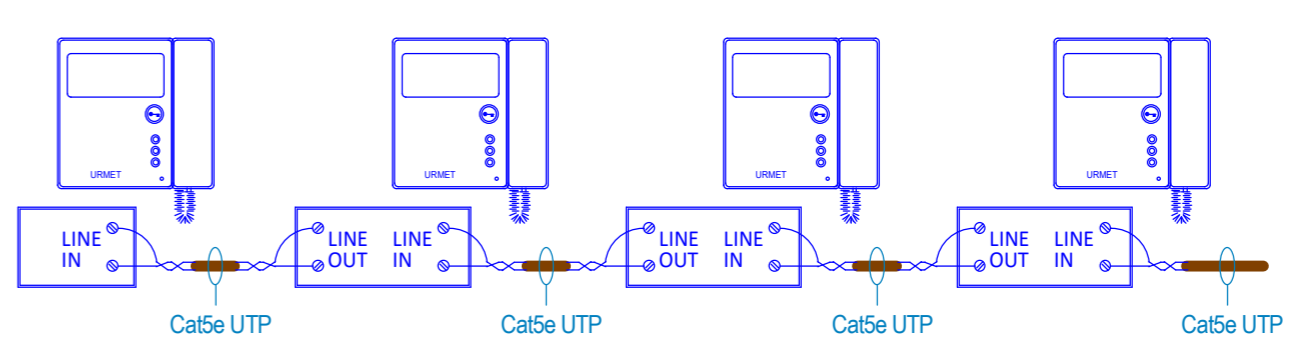
8. Add a second Cat5 cable if there is a trades button in the entry panel -



9. Cabling for double pole push to exit switch, double pole break glass unit and maglock -



10. Up to four monitors can be connected to ring together -



1  
2  
A maximum of 16 entry panels can be installed in this configuration

16

