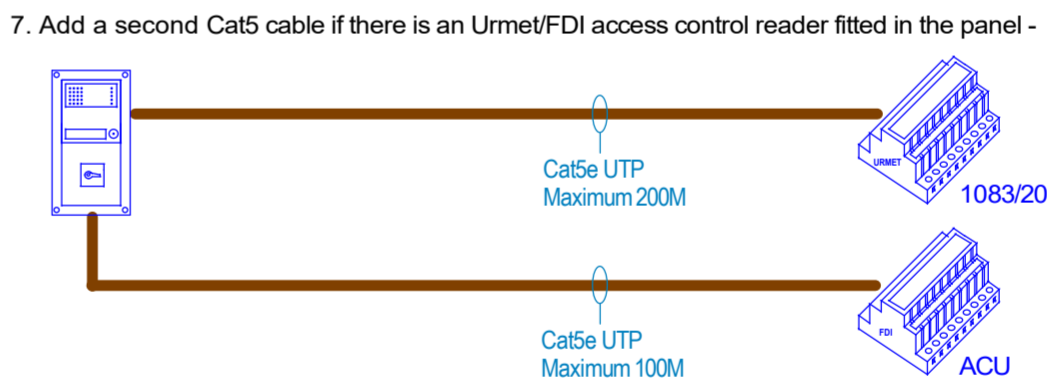
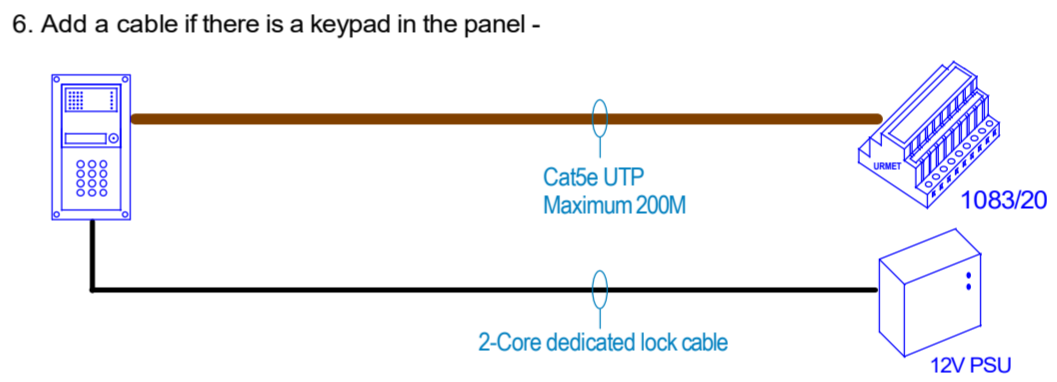
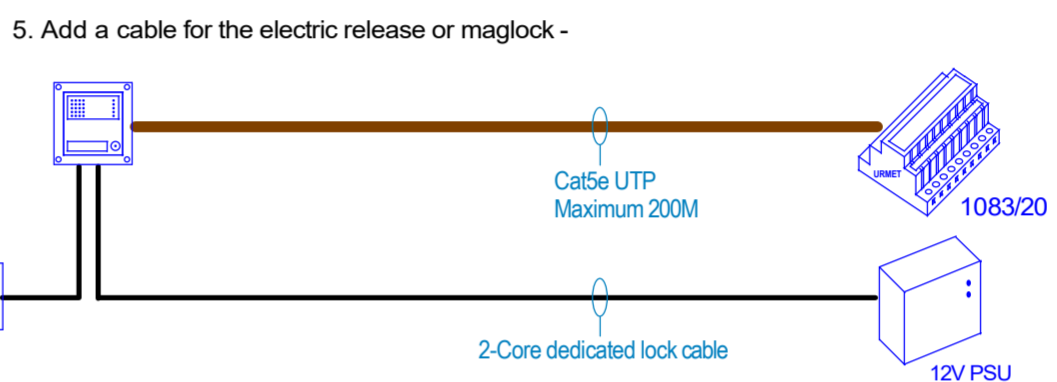
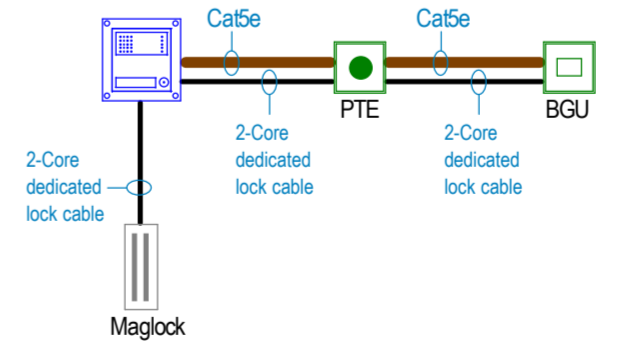


NOTES:

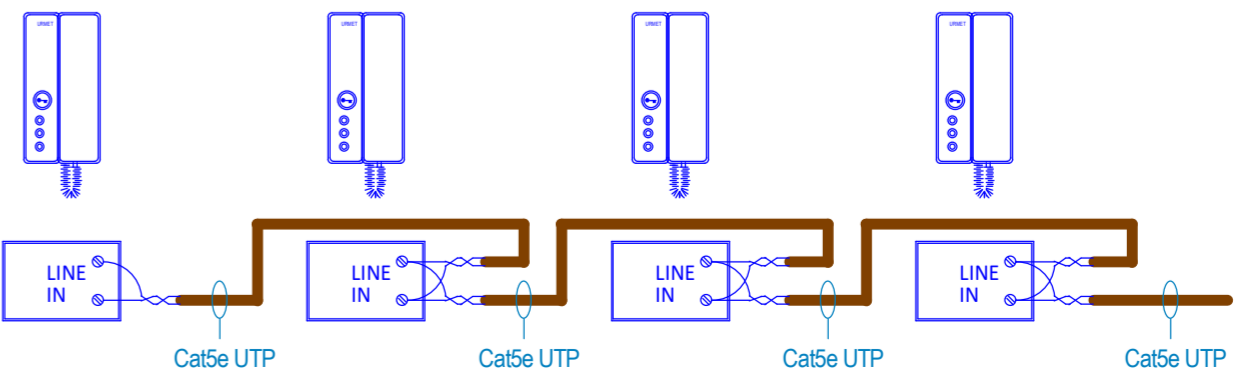
1. This schematic is for guidance only and should not be used for installation
2. Maximum distance from door entry panel to 1083/20 is 200m using Cat5e cable
3. Maximum distance from 1083/20 to the handset is 200m using Cat5e cable
4. Spare cores in Cat5e cable must not be used for other services -



8. Cabling for double pole push to exit switch, double pole break glass unit and maglock -



9. Up to four handsets can be connected to ring together -



Urmet Communication & Security UK Ltd
 Urban Hive, Avenue West
 Skyline 120
 Great Notley
 Essex
 CM77 7AA
 www.urmet.co.uk

| | |
|-------------|-------------------------|
| Title | 2Voice system schematic |
| Drawing No. | UD07885 PAGE1 |
| Date | 15-11-2020 |
| Drawn | TC |
| Checked | LK |
| Revision | 01 |