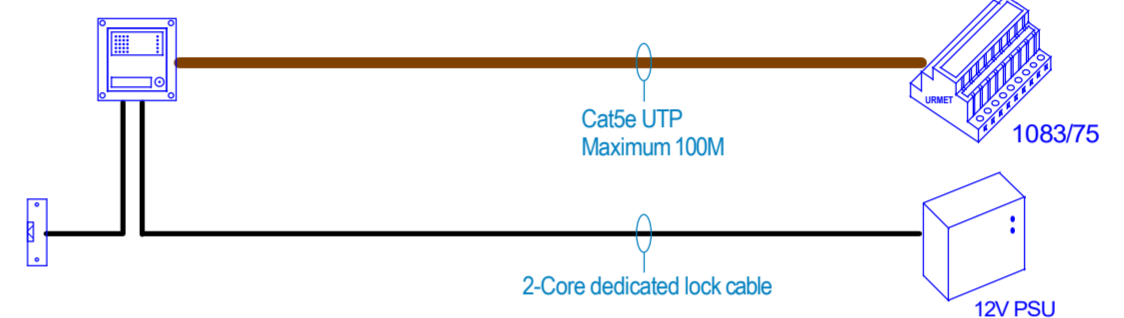


**NOTES:**

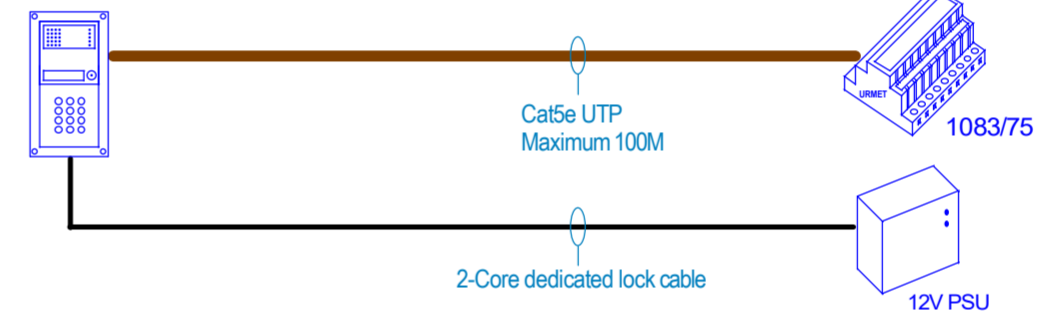
1. This schematic is for guidance only and should not be used for installation
2. Maximum distance from door entry panel to 1083/75 is 100m using Cat5e cable
3. Maximum distance from 1083/75 to the handset is 200m using Cat5e cable
4. Spare cores in Cat5e cable must not be used for other services -



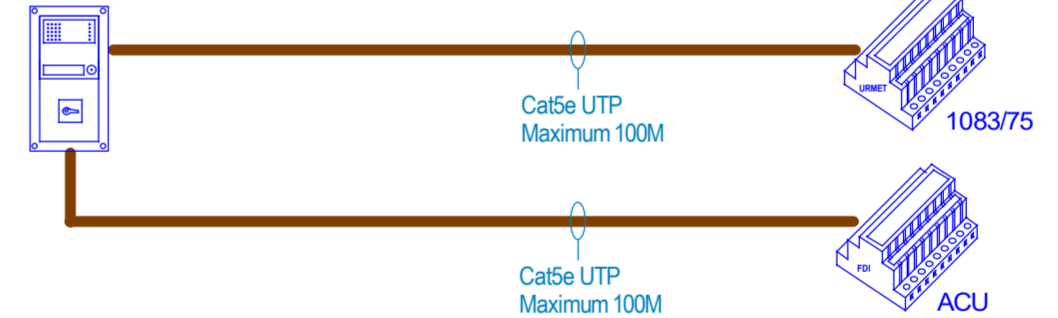
5. Add a cable for the electric release or maglock -



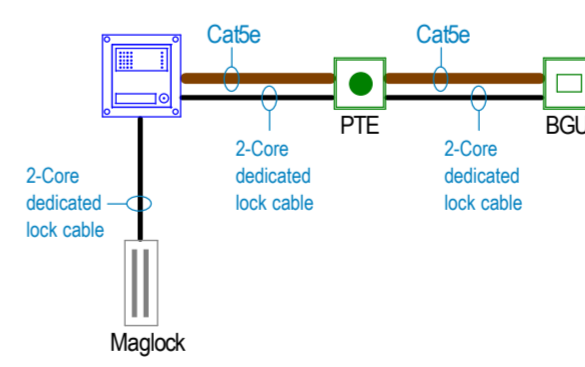
6. Add a cable if there is a keypad in the panel -



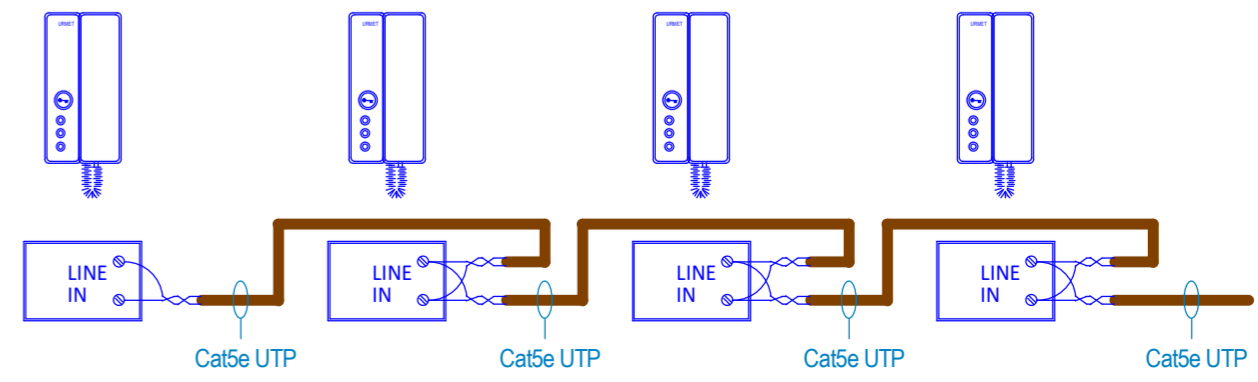
7. Add a second Cat5 cable if there is an Urmet/FDI access control reader fitted in the panel -



8. Cabling for double pole push to exit switch, double pole break glass unit and maglock -



9. Up to four handsets can be connected to ring together -



Urmet Communication & Security UK Ltd  
 Urban Hive, Avenue West  
 Skyline 120  
 Great Notley  
 Essex  
 CM77 7AA  
 www.urmet.co.uk

Title	2Voice system schematic
Drawing No.	UD07885 PAGE4
Date	15-11-2020
Drawn	TC
Checked	LK
Revision	01