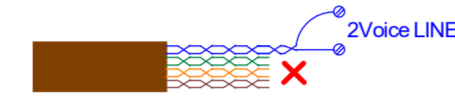


For call forwarding to the CallMe app

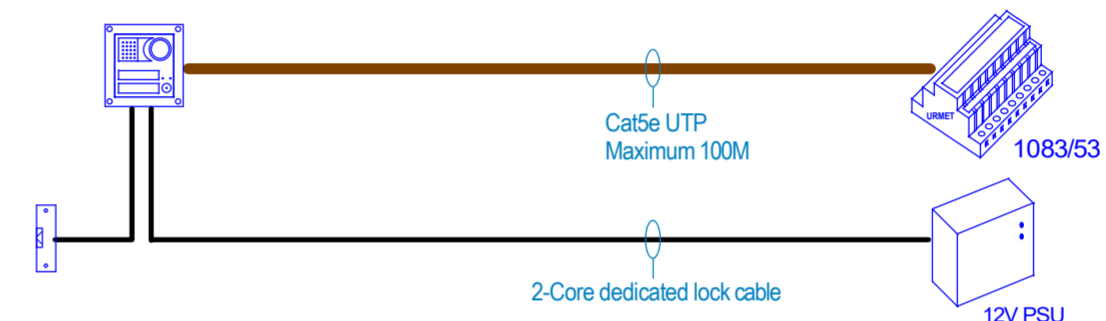
When using the 1083/58, the maximum number of monitors called together is three (the 1083/58 counts as a monitor).

NOTES:

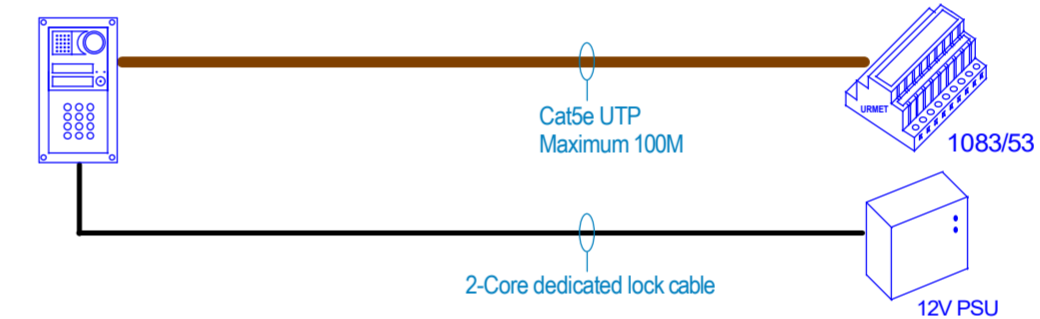
1. This schematic is for guidance only and should not be used for installation
2. Maximum distance from door entry panel to 1083/53 is 100m using Cat5e cable
3. Maximum distance from 1083/53 to the monitor is 125m using Cat5e cable
4. Spare cores in Cat5e cable must not be used for other services -



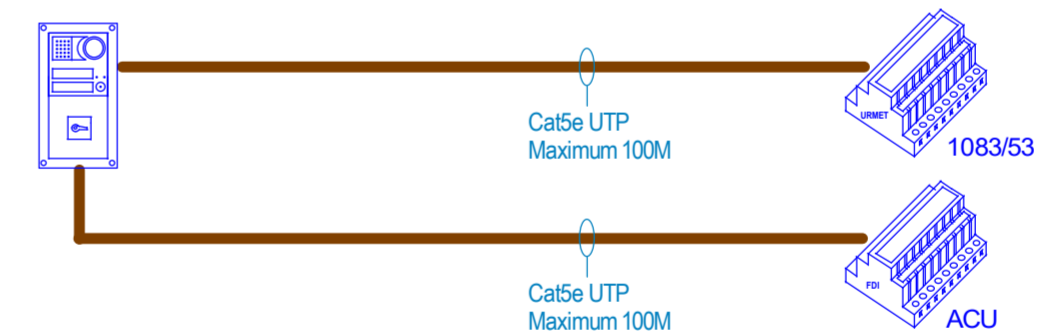
5. Add a cable for the electric release or maglock -



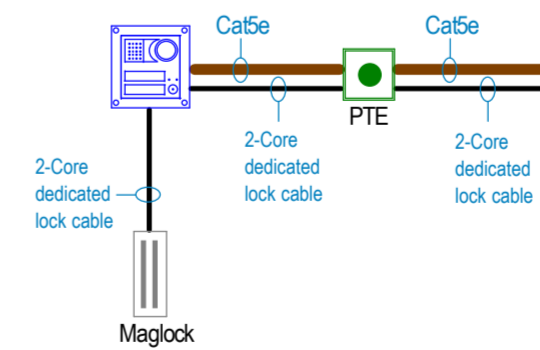
6. Add a cable if there is a keypad in the panel -



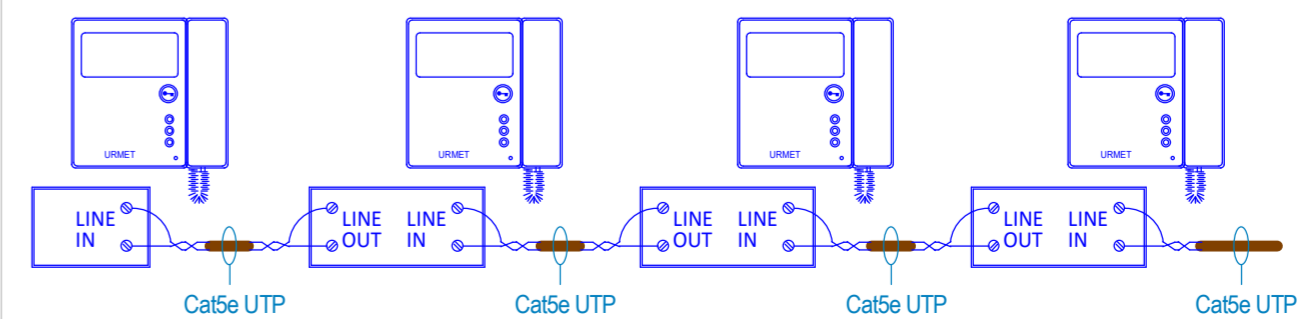
7. Add a second Cat5 cable if there is an Urmet/FDI access control reader fitted in the panel -



8. Cabling for double pole push to exit switch, double pole break glass unit and maglock -



9. Up to four monitors can be connected to ring together -



Urmet Communication & Security UK Ltd
Urban Hive, Avenue West
Skyline 120
Great Notley
Essex
CM77 7AA
www.urmet.co.uk

Title 2Voice system schematic

Drawing No. UD07884 PAGE2

Date 15-11-2020

Drawn TC Checked LK Revision 01