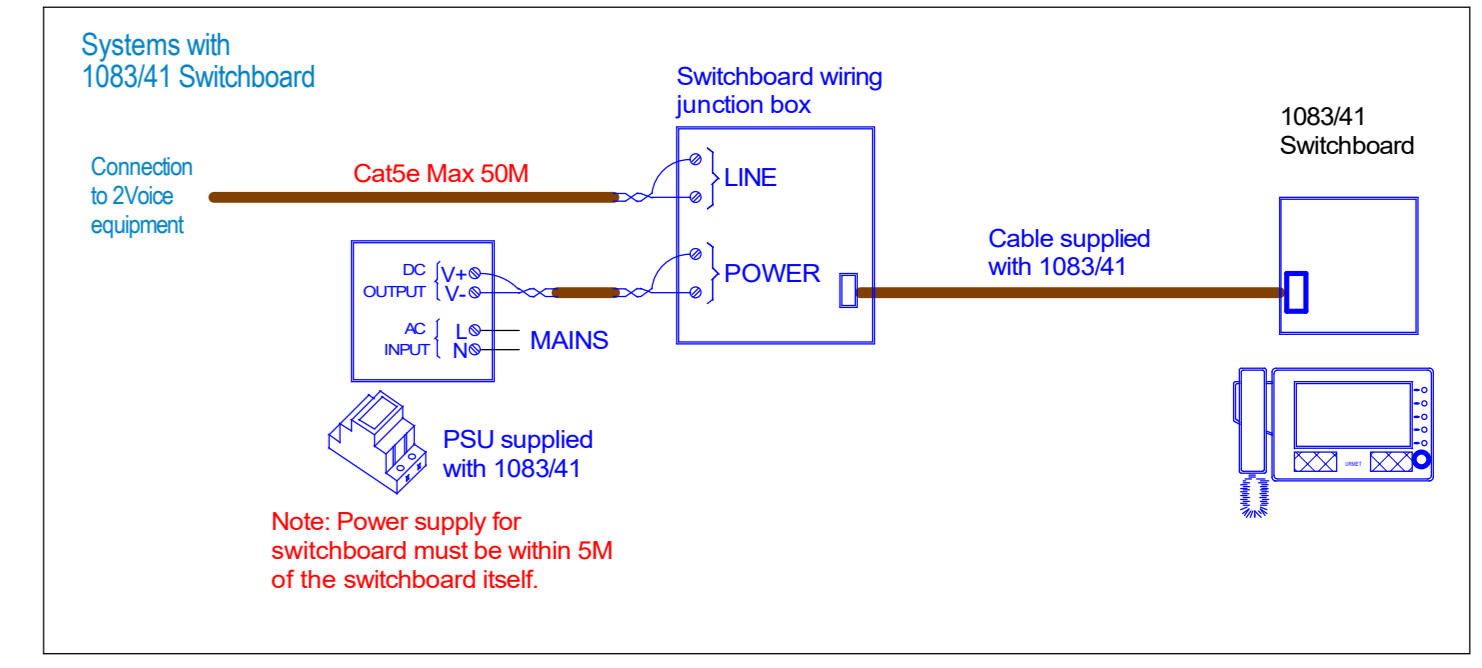
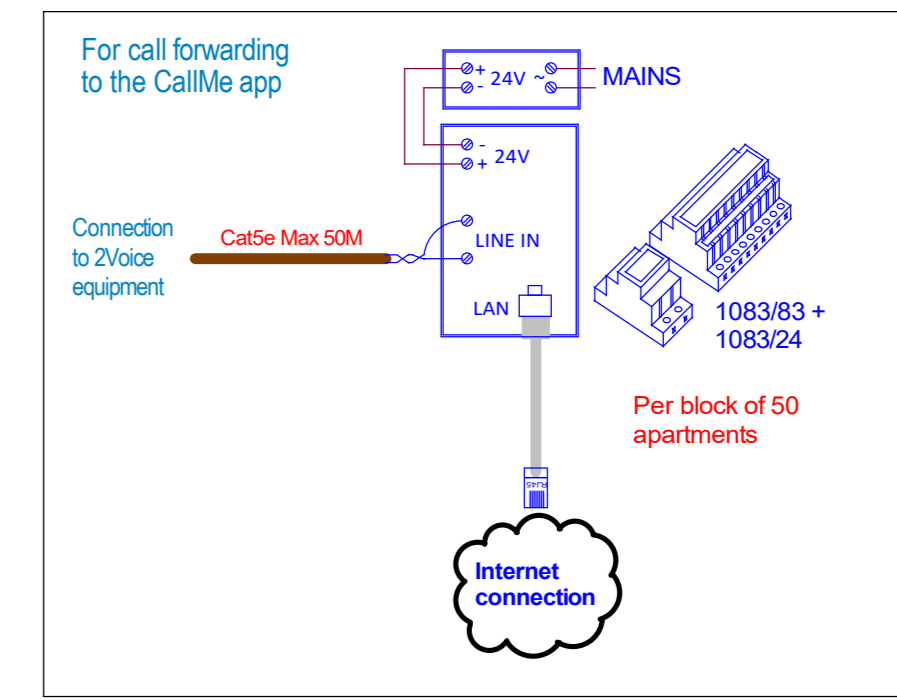
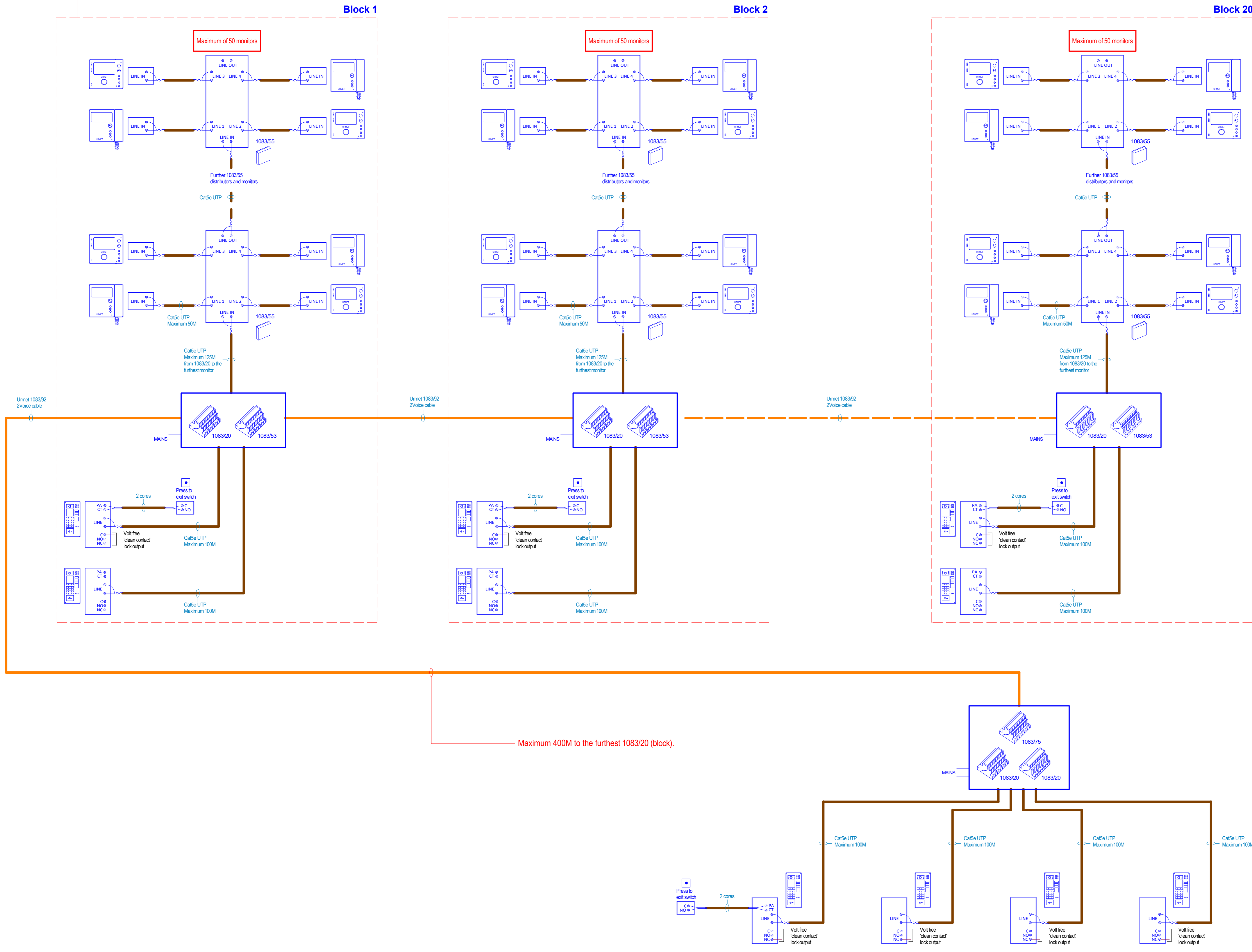


The maximum 'cable extension' for each block is 800M.

For example -
 Entry panel 1 to power supply = 100M
 Entry panel 2 to power supply = 20M
 Power supply to the last 1083/55 distributor = 40M
 1083/55 distributor to handset = 15M (multiplied by eg 40 apartments) = 600M.
 100M + 20M + 40M + 600M = 760M cable extension.

Cables for electric releases, proximity readers etc are not included in the cable extension calculation.

The maximum number of blocks is 20 therefore the maximum number of apartments is 20 x 50 = 1000



- NOTES:**
- This schematic is for guidance only and should not be used for installation
 - Maximum distance from door entry panel to control equipment is 100m using Cat5e cable
 - Maximum distance from control equipment to the furthest monitor is 125m using Cat5e cable
 - Maximum distance from the 1083/55 to the monitor is 50m using Cat5e cable
 - Spare cores in Cat5e cable must not be used for other services -
-
- Add a cable for the electric release or maglock -
-
- Add a second Cat5 cable if there is an UrmetFDI pass access control system being fitted -
-
- Cabling for double pole push to exit switch, double pole break glass unit and maglock -
-
- Up to four monitors can be connected to ring together -
-

Online training available here

