

Blocks 25 to 32

Blocks 17 to 24

Block 9

Block 10

Block 16

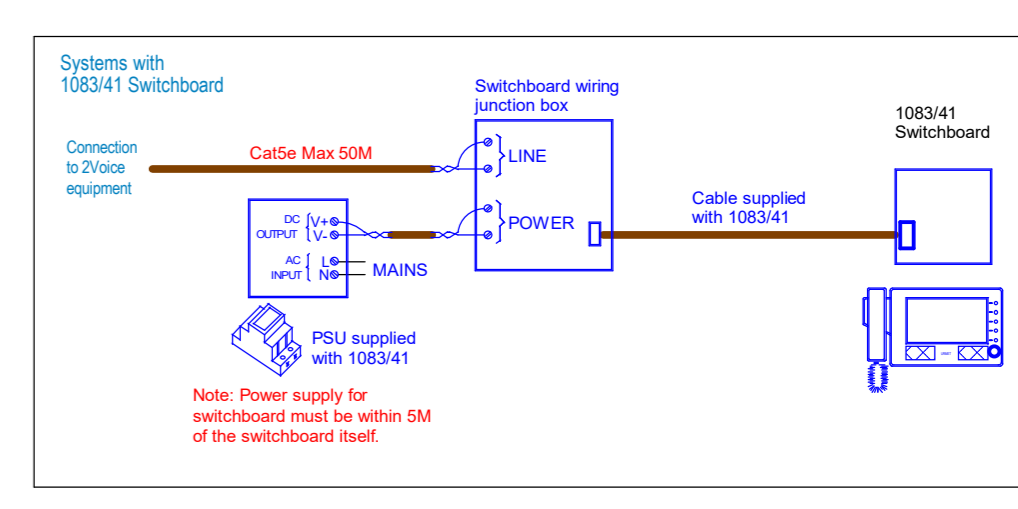
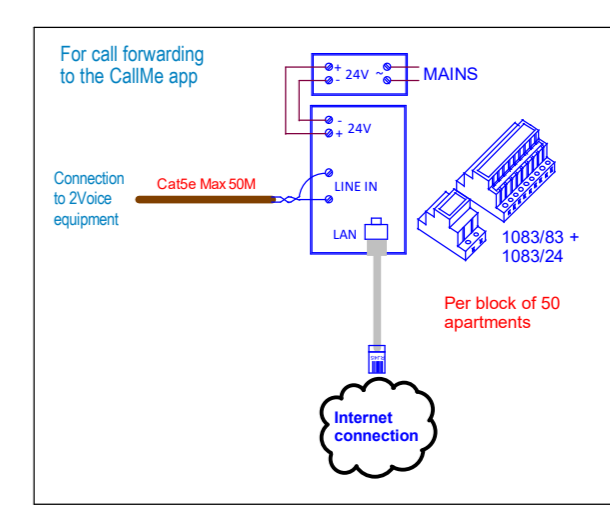
Block 1

Block 2

Block 8

The maximum 'cable extension' for each block is 800M.  
 For example -  
 Entry panel 1 to power supply = 100M  
 Entry panel 2 to power supply = 20M  
 Power supply to the last 108355 distributor = 40M  
 108355 distributor to handset = 15M (multiplied by eg 40 apartments) = 600M.  
 100M + 20M + 40M + 600M = 760M cable extension.  
 Cables for electric releases, proximity readers etc are not included in the cable extension calculation.  
 The maximum number of blocks is 32 therefore the maximum number of apartments is 32 x 50 = 1600

Maximum 600M to the furthest 108320 (block).  
 Maximum 600M to the furthest 108320 (block).  
 Maximum 600M to the furthest 108320 (block).  
 Maximum 600M to the furthest 108320 (block).



- NOTES:**
- This schematic is for guidance only and should not be used for installation
  - Maximum distance from door entry panel to control equipment is 100m using CatSe cable
  - Maximum distance from control equipment to the furthest monitor is 125m using CatSe cable
  - Maximum distance from the 108355 to the monitor is 50m using CatSe cable
  - Spare cores in CatSe cable must not be used for other services -
- 
- Add a cable for the electric release or maglock -
- 
- Add a second CatSe cable if there is an Urmet/IDI/Phascan access control system being fitted -
- 
- Cabling for double pole push to exit switch, double pole break glass unit and maglock -
- 
- Up to four monitors can be connected to ring together -
- 

Online training available here

**urmet**

**2 voice**

Urmet Communication & Security UK Ltd  
 Station House, Avenue West  
 Salford, Greater Manchester  
 M6 6PU  
 www.urmet.co.uk

File: 2voice system schematic  
 Drawing No: UD08325 PAGE14  
 Date: 25-3-2024  
 Drawn: TC Checked: LK Revision: 01