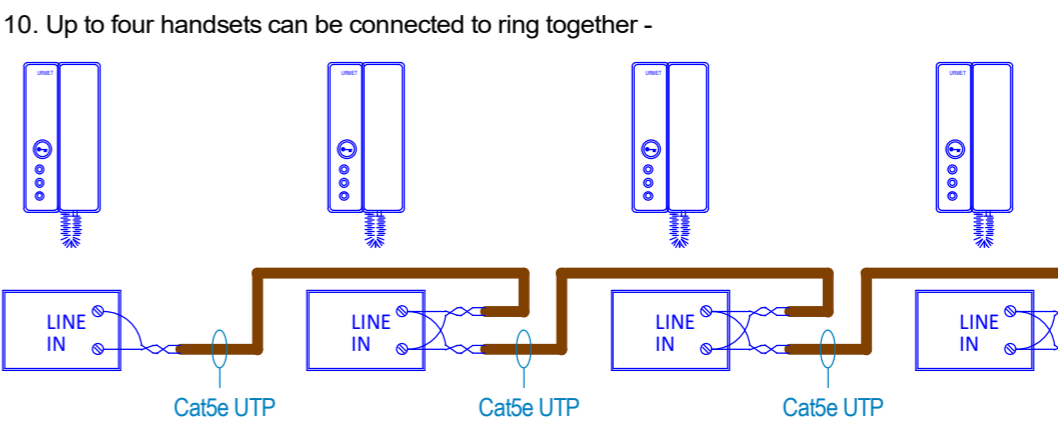
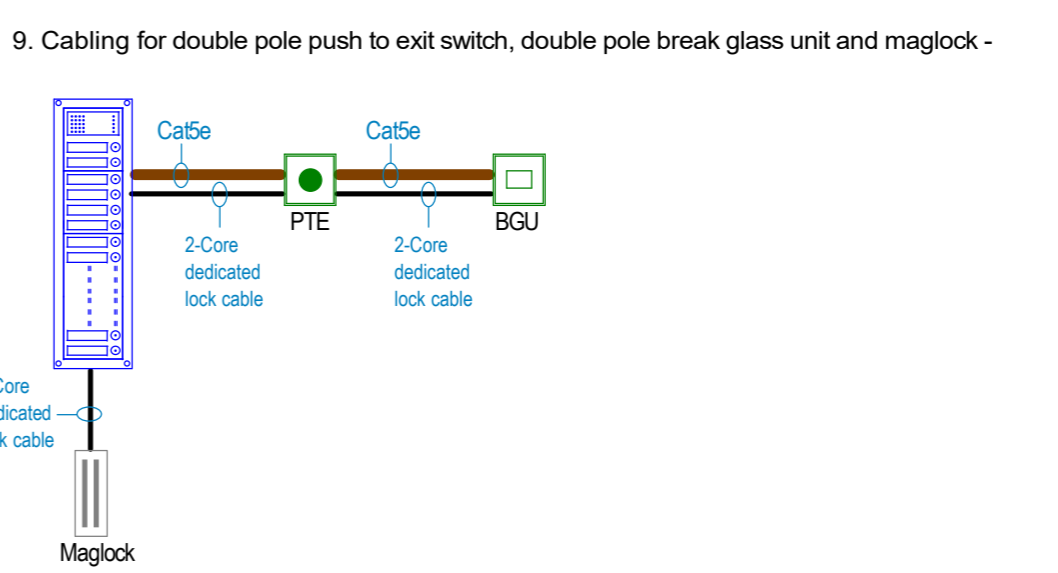
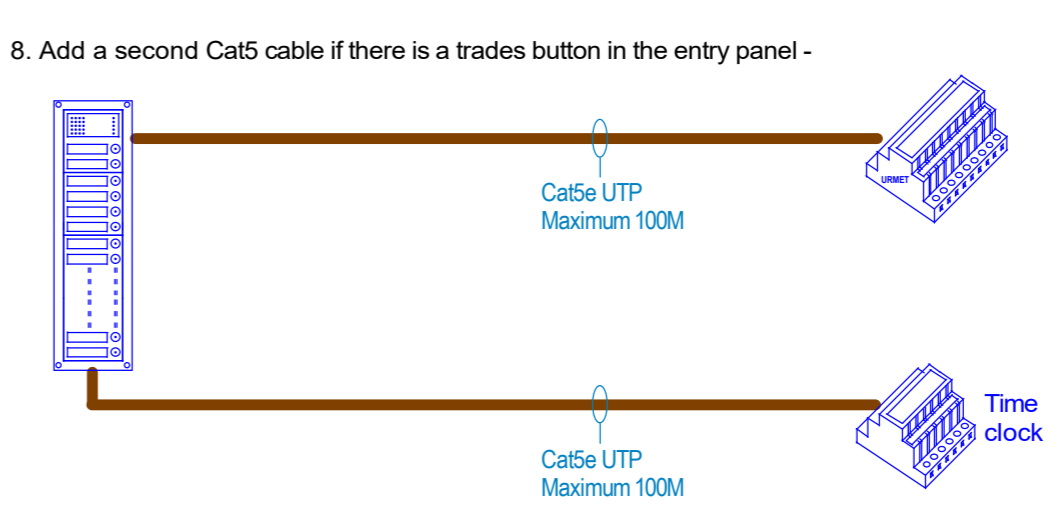
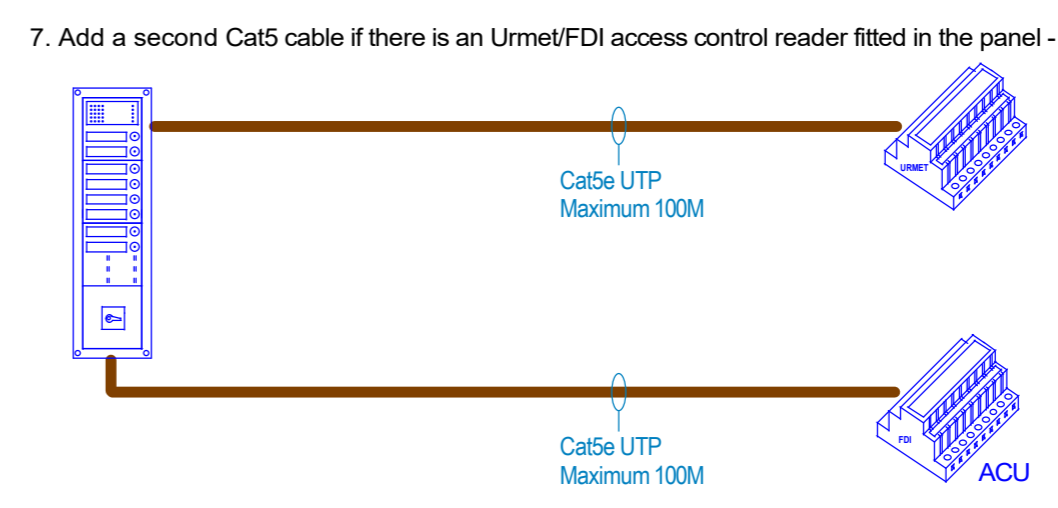
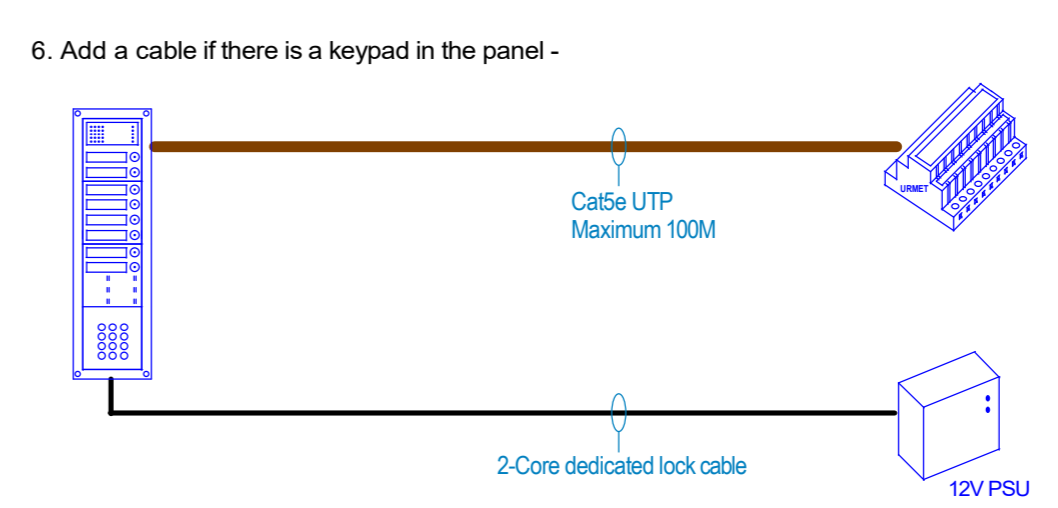
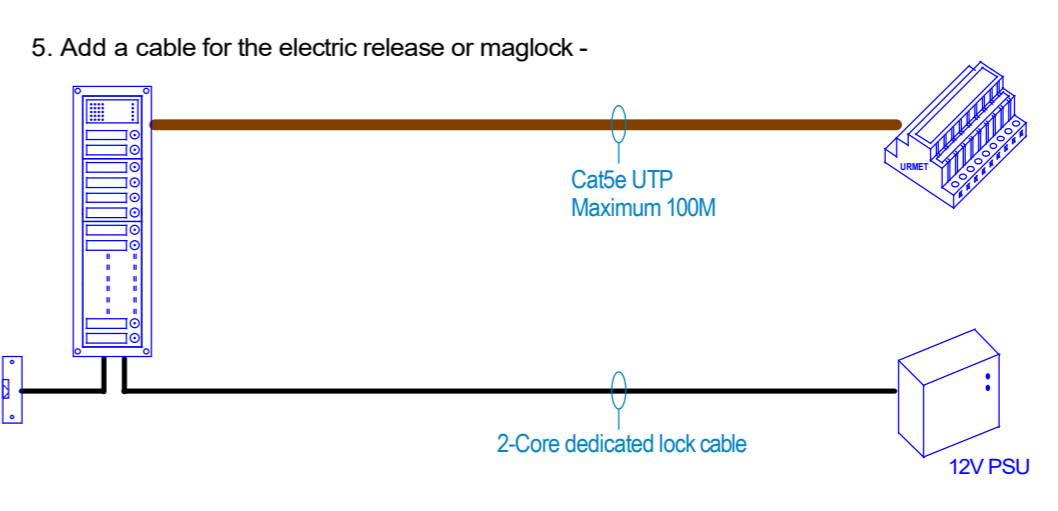
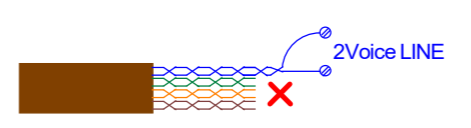


A maximum of 16 entry panels can be installed in this configuration

NOTES:

1. This schematic is for guidance only and should not be used for installation
2. Maximum distance from door entry panel to control equipment is 100m using Cat5e cable
3. Maximum distance from control equipment to the handset is 50m using Cat5e cable
4. Spare cores in Cat5e cable must not be used for other services -



Urmet Communication & Security UK Ltd
 Urban Hive, Avenue West
 Skyline 120
 Great Notley
 Essex
 CM77 7AA
 www.urmet.co.uk

Title	2Voice system schematic
Drawing No.	UD07885 PAGE15
Date	15-11-2020
Drawn	TC
Checked	LK
Revision	01