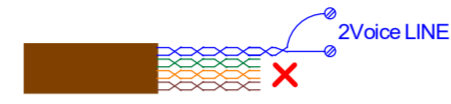
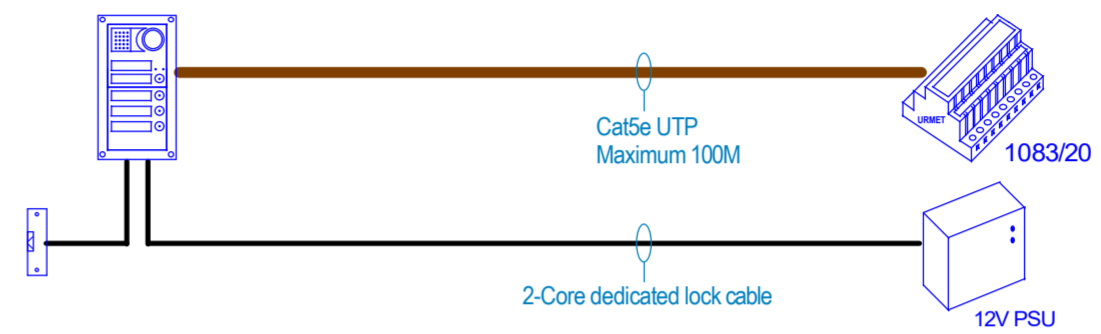


NOTES:

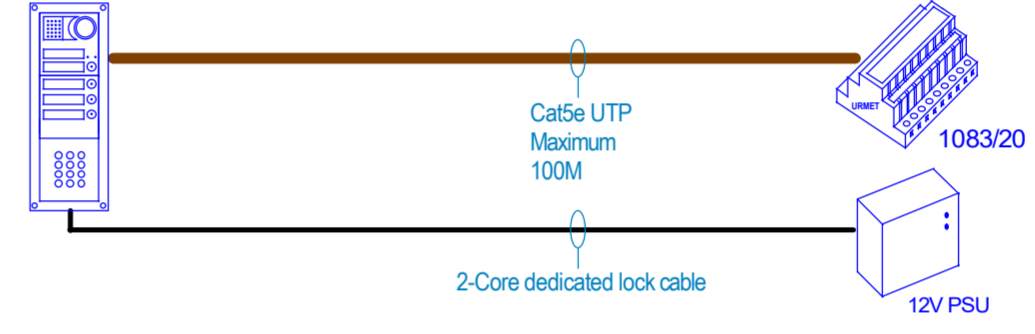
1. This schematic is for guidance only and should not be used for installation
2. Maximum distance from door entry panel to 1083/20 is 100m using Cat5e cable
3. Maximum distance from 1083/20 to the monitor is 125m using Cat5e cable
4. Maximum distance from 1083/55 to the monitor is 50m using Cat5e cable
5. Spare cores in Cat5e cable must not be used for other services -



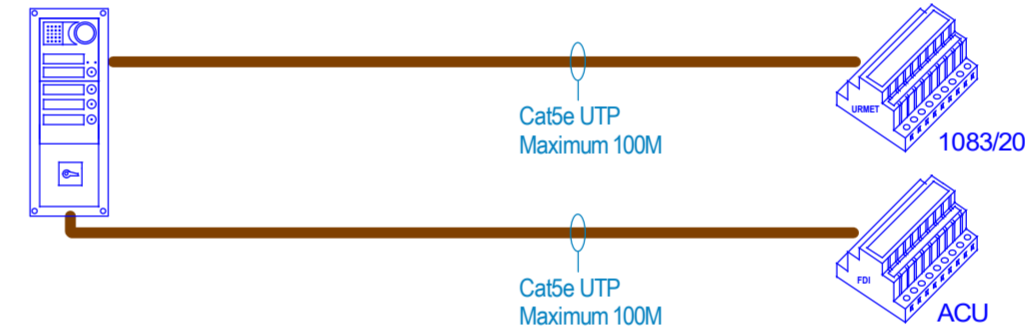
6. Add a cable for the electric release or maglock -



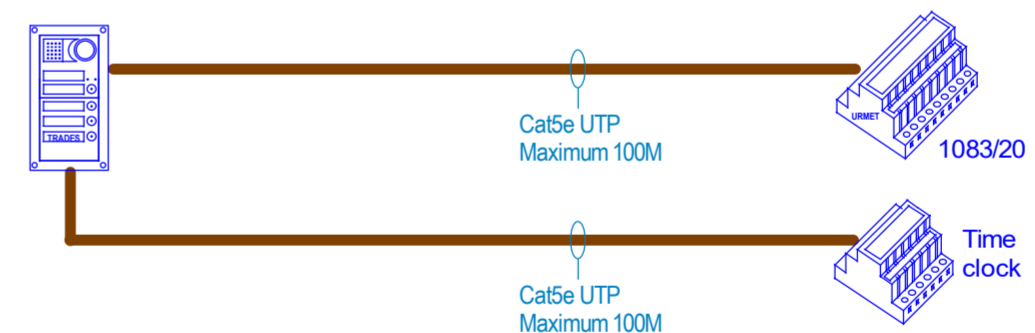
7. Add a cable if there is a keypad in the panel -



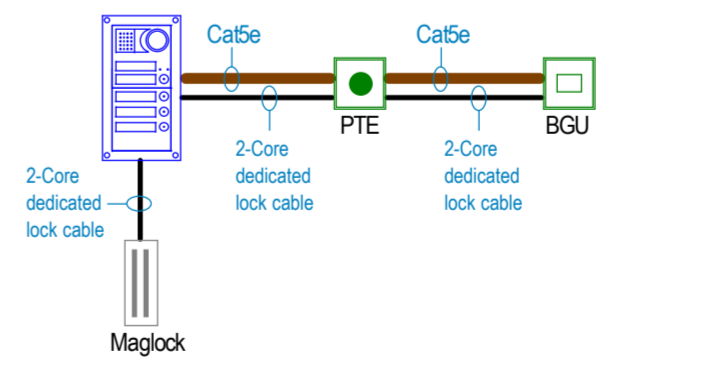
8. Add a second Cat5 cable if there is an Urmet/FDI access control reader fitted in the panel -



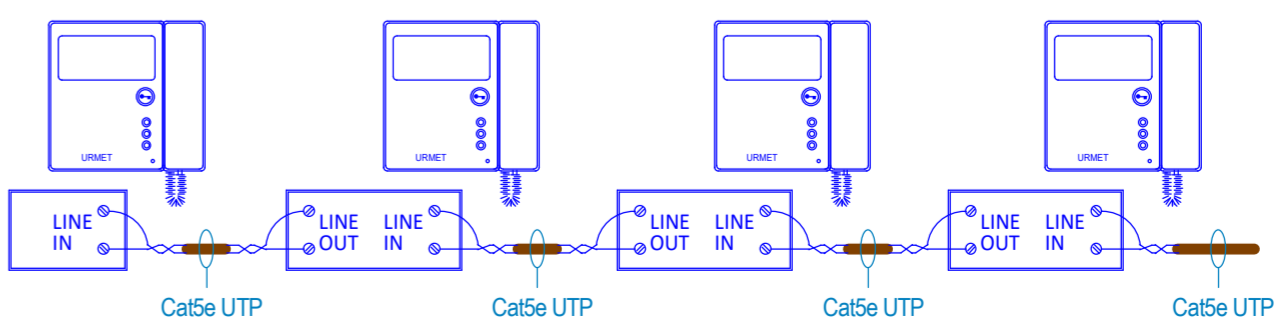
9. Add a second Cat5 cable if there is a trades button in the entry panel -



10. Cabling for double pole push to exit switch, double pole break glass unit and maglock -



11. Up to four monitors can be connected to ring together -



Urmet Communication & Security UK Ltd
 Urban Hive, Avenue West
 Skyline 120
 Great Notley
 Essex
 CM77 7AA
 www.urmet.co.uk

Title	2Voice system schematic
Drawing No.	UD07884 PAGE6
Date	15-11-2020
Drawn	TC
Checked	LK
Revision	01