

The maximum 'cable extension' for each section is 800M.  
 For example -  
 Power supply to the last 1083/55 distributor = 40M  
 1083/55 distributor to monitor = 15M (multiplied by eg 40 apartments) = 600M.  
 40M + 600M = 640M cable extension.  
 Cables for electric releases, proximity readers etc are not included in the cable extension calculation.  
 The maximum number of sections is 32 therefore the maximum number of apartments is 32 x 50 = 1600

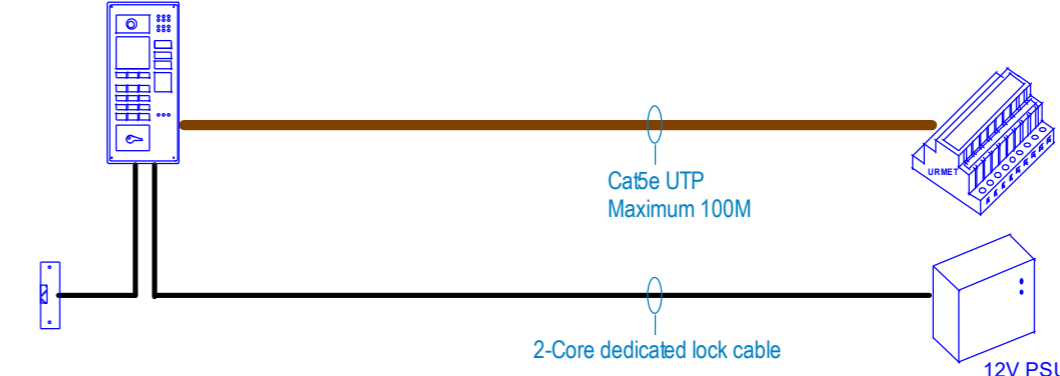
The maximum 'cable extension' for each section is 800M.  
 For example -  
 Entry panel to power supply = 20M  
 Power supply to the last 1083/55 distributor = 40M  
 1083/55 distributor to handset = 15M (multiplied by eg 40 apartments) = 600M.  
 20M + 40M + 600M = 660M cable extension.  
 Cables for electric releases, proximity readers etc are not included in the cable extension calculation.  
 The maximum number of sections is 32 therefore the maximum number of apartments is 32 x 50 = 1600

**NOTES:**

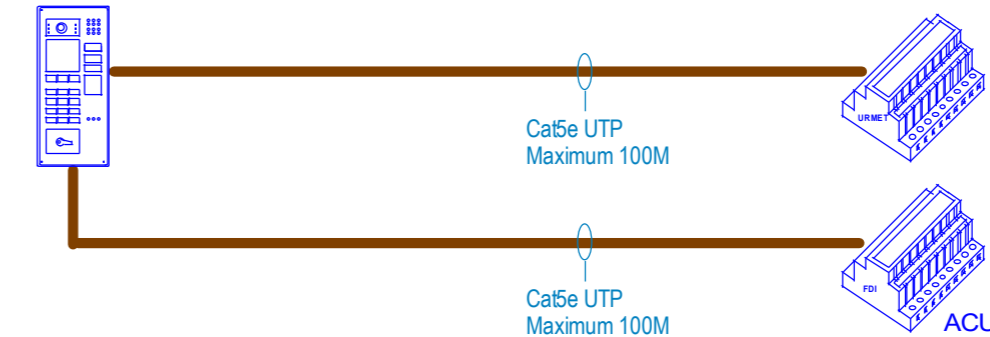
1. This schematic is for guidance only and should not be used for installation
2. Maximum distance from door entry panel to control equipment is 100m using Cat5e cable
3. Maximum distance from control equipment to the furthest monitor is 125m using Cat5e cable
4. Maximum distance from the 1083/55 to the monitor is 50m using Cat5e cable
5. Spare cores in Cat5e cable must not be used for other services -



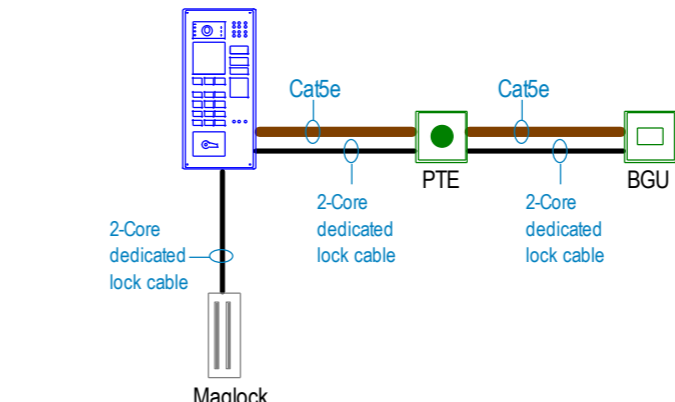
6. Add a cable for the electric release or maglock -



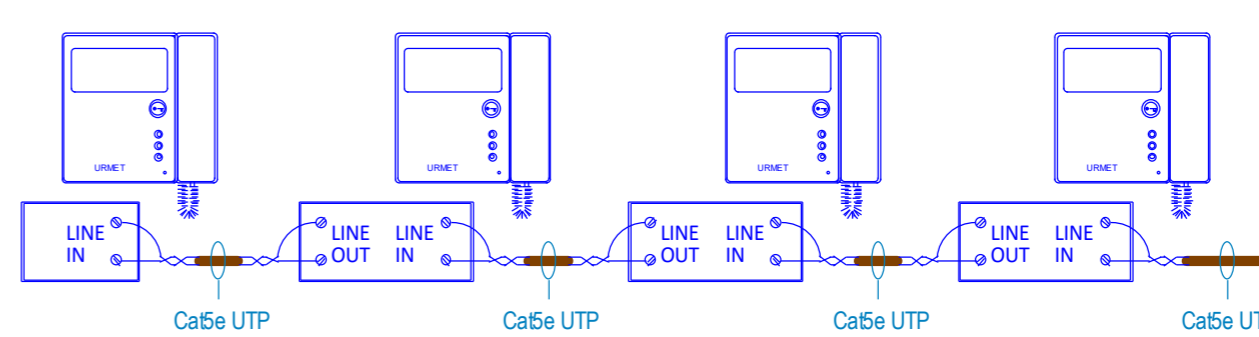
7. Add a second Cat5 cable if there is an Umnet/FDI iPassan access control system being fitted -



8. Cabling for double pole push to exit switch, double pole break glass unit and maglock -



9. Up to four monitors can be connected to ring together -



Urmet Communication & Security UK Ltd  
 Urban Hive, Avenue West  
 Skyline 120  
 Great Nettle  
 Essex  
 CM77 7AA  
 www.urmet.co.uk

Title 2Voice system schematic  
 Drawing No. UD08325 PAGE6  
 Date 22-6-2022  
 Drawn TC Checked LK Revision 01