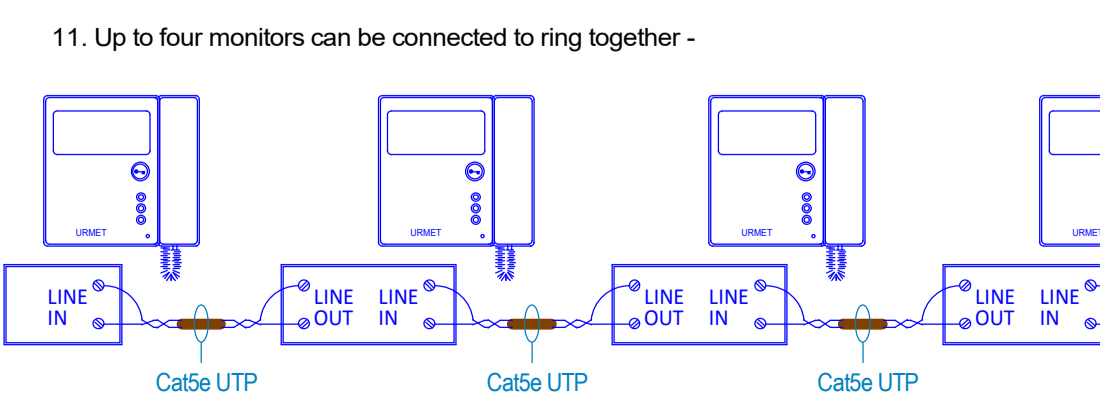
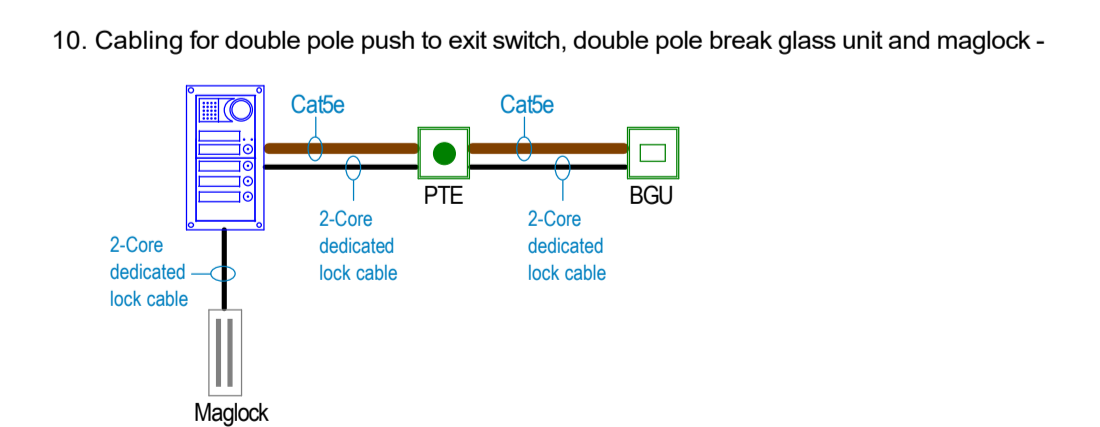
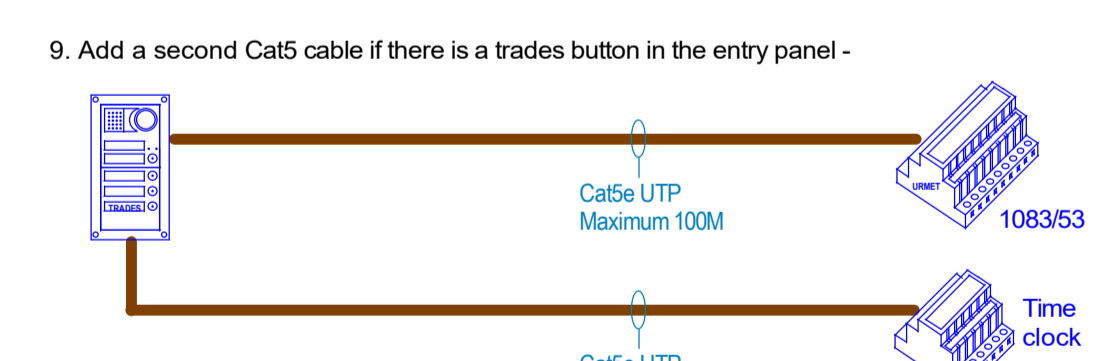
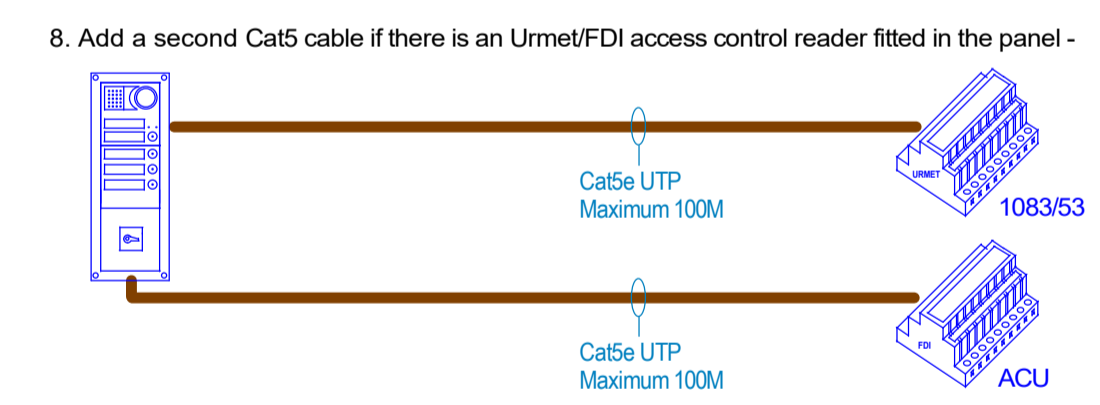
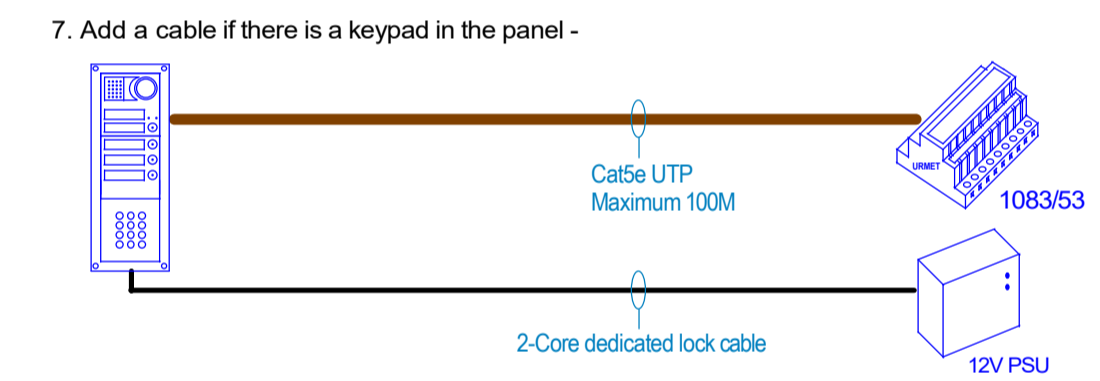
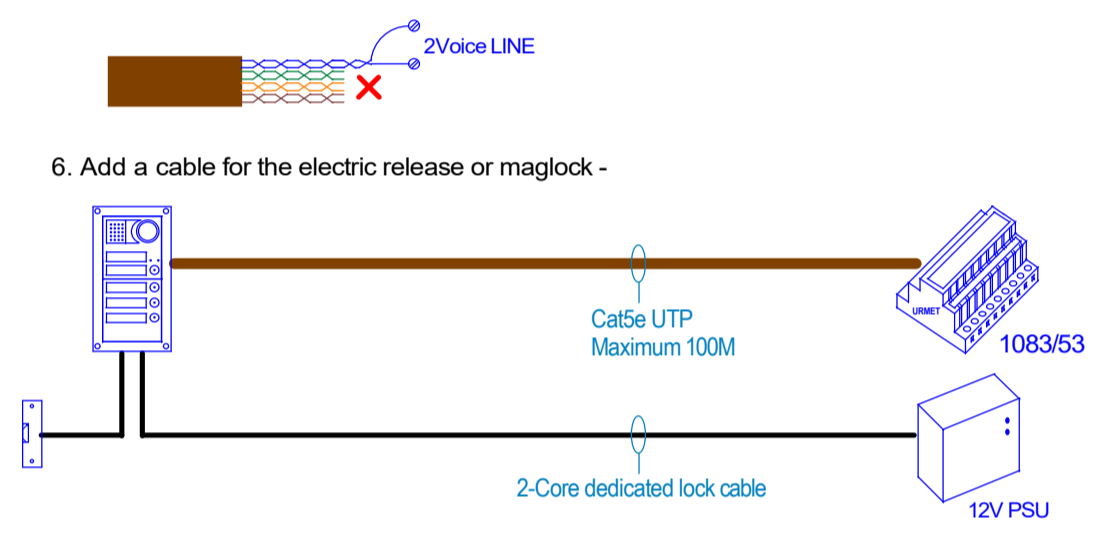


**NOTES:**

1. This schematic is for guidance only and should not be used for installation
2. Maximum distance from door entry panel to 1083/53 is 100m using Cat5e cable
3. Maximum distance from 1083/53 to the monitor is 125m using Cat5e cable
4. Maximum distance from 1083/55 to the monitor is 50m using Cat5e cable
5. Spare cores in Cat5e cable must not be used for other services -



Urmet Communication & Security UK Ltd  
 Urban Hive, Avenue West  
 Skyline 120  
 Great Nolley  
 Essex  
 CM77 7AA  
 www.urmet.co.uk

Title	2Voice system schematic
Drawing No.	UD07884 PAGE7
Date	15-11-2020
Drawn	TC
Checked	LK
Revision	01