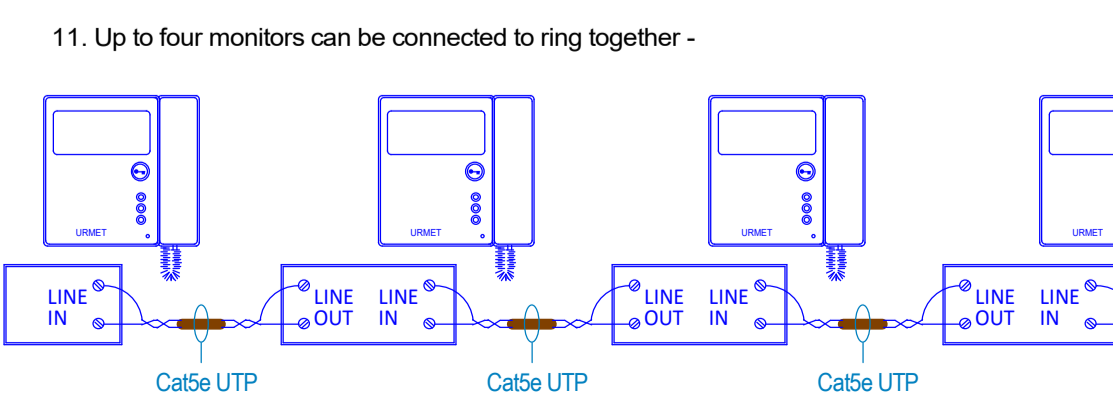
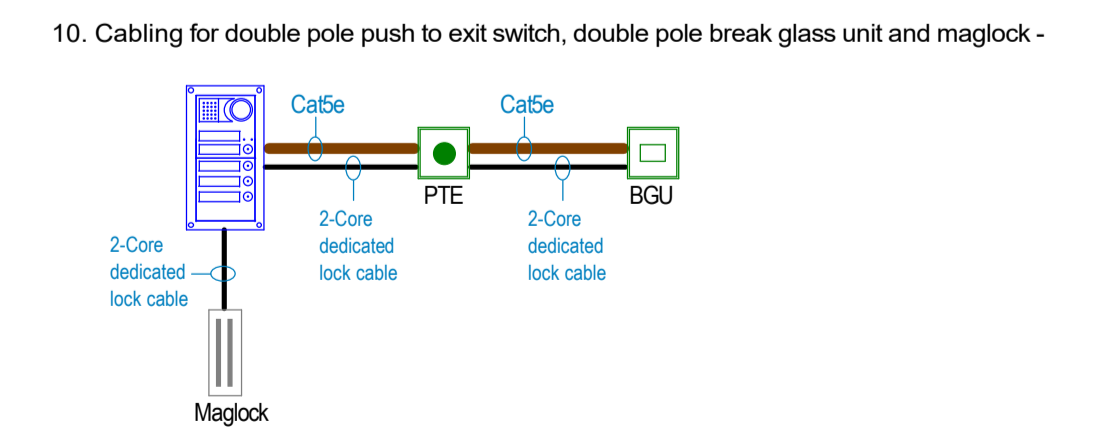
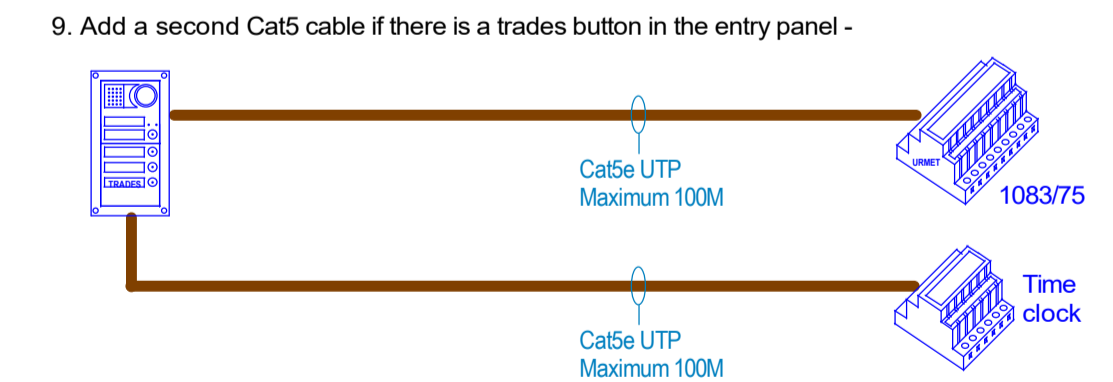
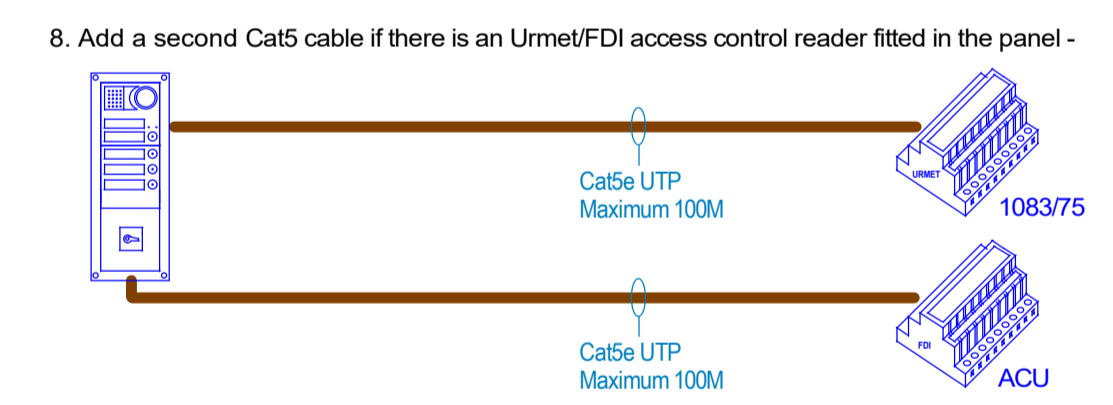
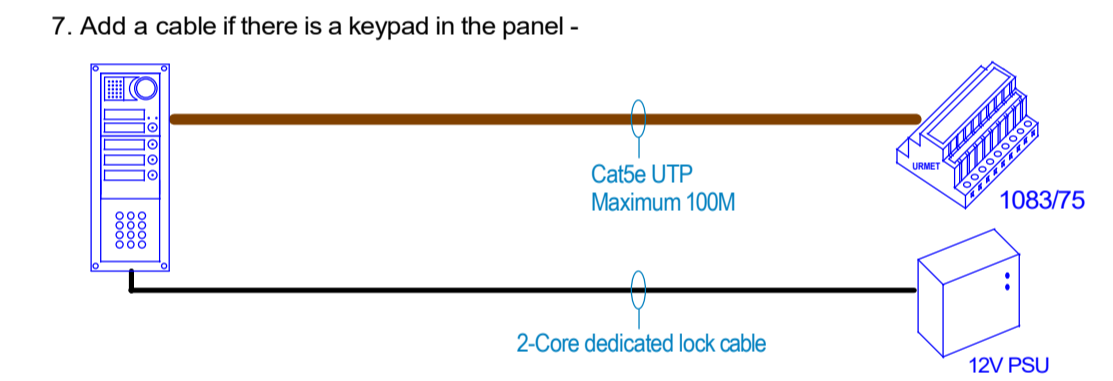
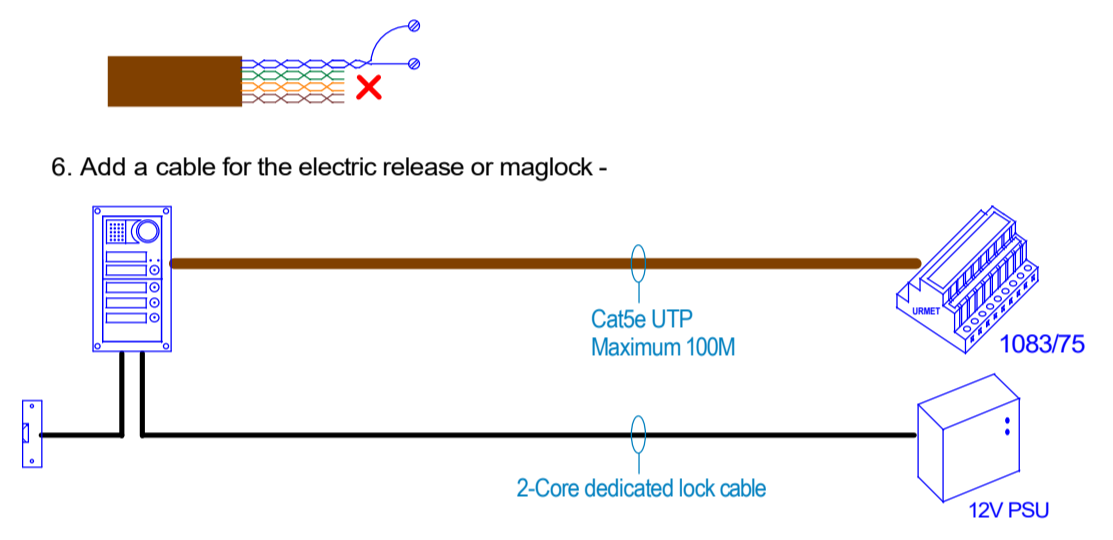


NOTES:

1. This schematic is for guidance only and should not be used for installation
2. Maximum distance from door entry panel to 1083/75 is 100m using Cat5e cable
3. Maximum distance from 1083/75 to the monitor is 125m using Cat5e cable
4. Maximum distance from 1083/55 to the monitor is 50m using Cat5e cable
5. Spare cores in Cat5e cable must not be used for other services -



Urmet Communication & Security UK Ltd
 Urban Hive, Avenue West
 Skyline 120
 Great Nolley
 Essex
 CM77 7AA
 www.urmet.co.uk